
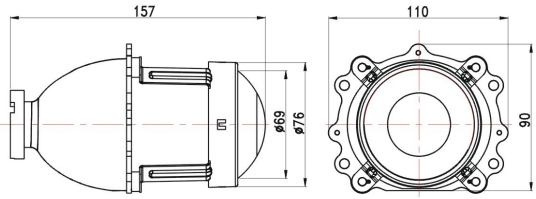

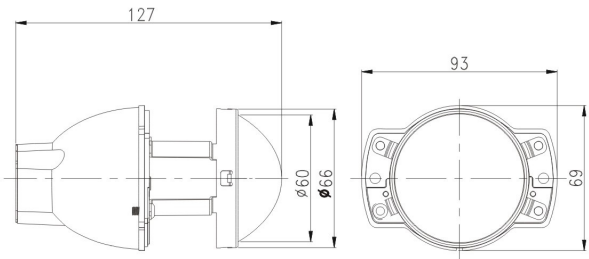

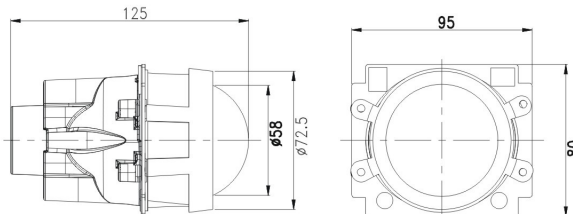

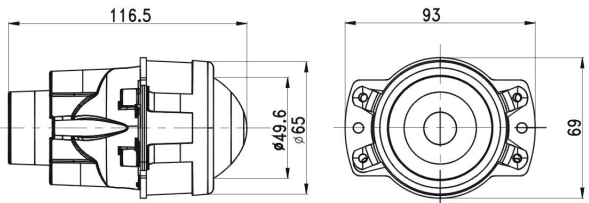

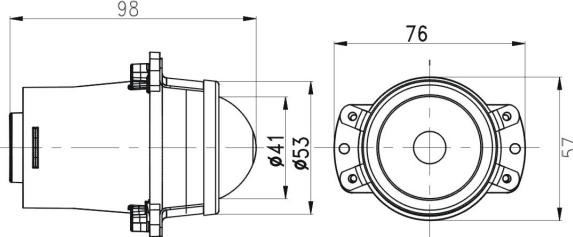

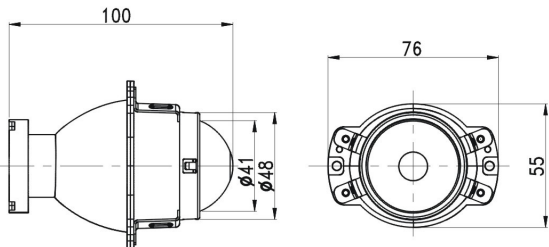



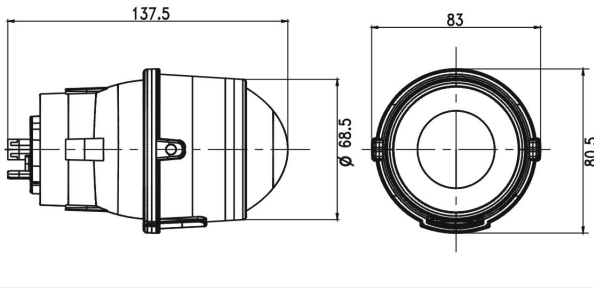

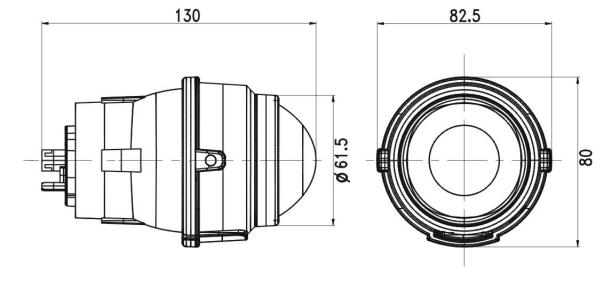


# Projector for Headlights

		<p><b>GT-523</b> 76mm lens projector 12V 65W H9 bulb</p> <p>High beam Low beam ("Z" type) Hi/low switching beam</p> <p>ECE / DOT pending</p>
		<p><b>GT-525</b> 66mm lens projector 12V 55W H1 bulb</p> <p>High beam Low beam ("Z" type) Hi/Low switching beam</p>
		<p><b>GT-520</b> 72mm lens projector 12V 55W H1 bulb</p> <p>High beam Low beam ("Z" type) Hi/low switching beam</p>
		<p><b>GT-521</b> 65mm lens projector 12V 55W H1 bulb 12V 35W H1 HID bulb</p> <p>High beam Low beam ("Z" type) Hi/low switching beam</p> <p>ECE approval (R98 / R112)</p>
		<p><b>GT-522</b> 53mm lens projector 12V 55W H1 bulb</p> <p>High beam Low beam ("Z" type)</p> <p>ECE approval (R112 / R113)</p>
		<p><b>GT-524</b> 48mm lens projector 12V 55W H1 bulb 12V 35W H1 HID bulb</p> <p>High beam Low beam ("Z" type) Hi/low switching beam</p>

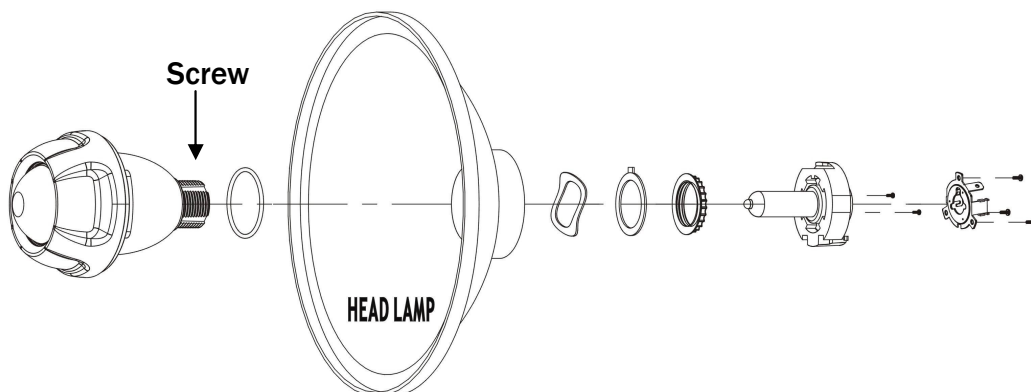


# Waterproof Projector


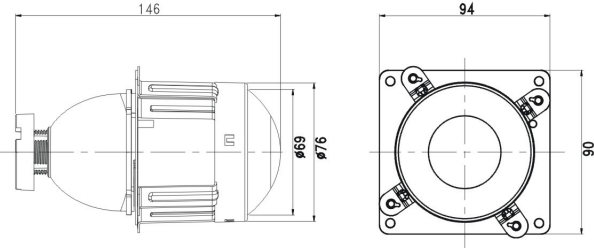

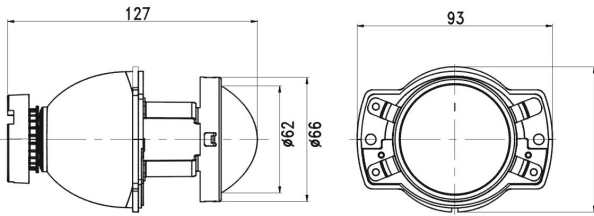

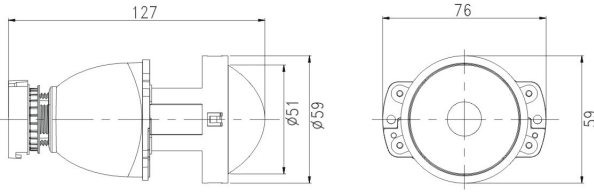

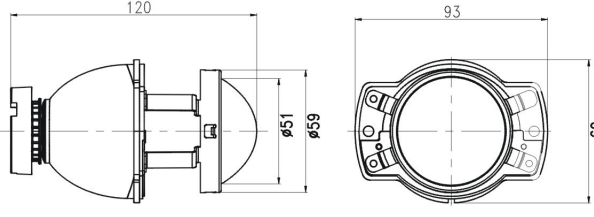

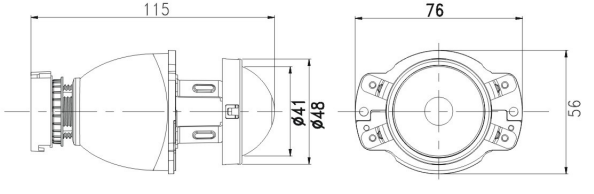
		<p><b>WP-564</b> 68mm lens projector – waterproof 12V 55W H1 bulb  High beam Low beam (“Z” type) Hi/low switching beam  ECE / DOT pending</p>
		<p><b>WP-556</b> 61mm lens projector- waterproof 12V 55W H1 bulb  High beam Low beam (“Z” type) Hi/low switching beam</p>

# Bolt type Projector for Headlights

Easy Installation





		<p><b>PT-B74</b> 76mm lens projector – bolt type 12V 55W H1 bulb</p> <p>High beam Low beam (“Z” type) Hi/low switching beam</p>
		<p><b>PT-B64</b> 66mm lens projector – bolt type 12V 55W H1 bulb</p> <p>High beam Low beam (“Z” type) Hi/low switching beam</p>
		<p><b>PT-A56</b> 59mm lens projector – bolt type 12V 55W H1 bulb</p> <p>High beam Low beam (“Z” type) Hi/low switching beam</p>
		<p><b>PT-B52</b> 59mm lens projector – bolt type 12V 55W H1 bulb</p> <p>High beam Low beam (“Z” type) Hi/low switching beam</p>
		<p><b>PT-A42</b> 48mm lens projector – bolt type 12V 55W H1 bulb</p> <p>High beam Low beam (“Z” type) Hi/low switching beam</p>

Update Date: March 11, 2011